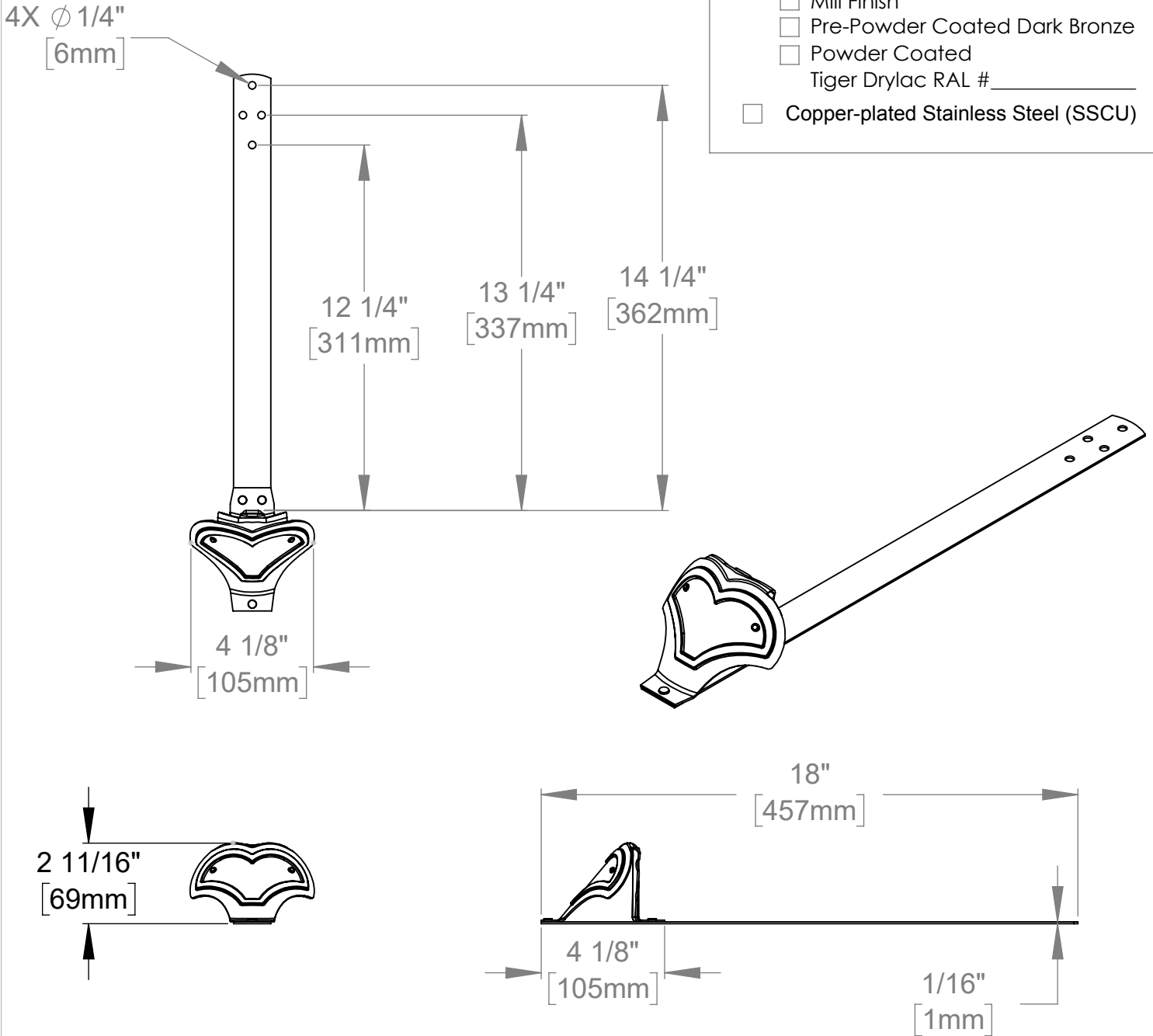


# Cut Sheet - SNOW BIRD 18

1. Installation to be completed in accordance with manufacturer's written specifications and installation instructions.
2. See spec sheet or contact manufacturer for detailed material, finishes, and configuration options.
3. Contact manufacturer for detailed layout.
4. Do not scale drawings.
5. Subject to change without notice.
6. For patent information, visit our [Patent Page](#).

## Available Materials/Finishes:

- Cold Rolled Steel (Galvanized)
  - Mill Finish
  - Pre-Powder Coated Dark Bronze
  - Powder Coated  
Tiger Drylac RAL # \_\_\_\_\_
- Copper-plated Stainless Steel (SSCU)



289 Harrel Street  
 Morrisville, VT 05661  
 Phone: 1.888.766.4273  
 Fax: 1.888.766.9994  
 Email: [Info@alpinesnowguards.com](mailto:Info@alpinesnowguards.com)

Scale: 1:5

6/2/2026